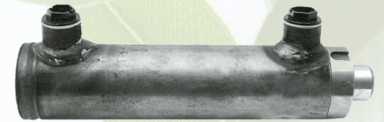


Double acting cylinders



Technical information:

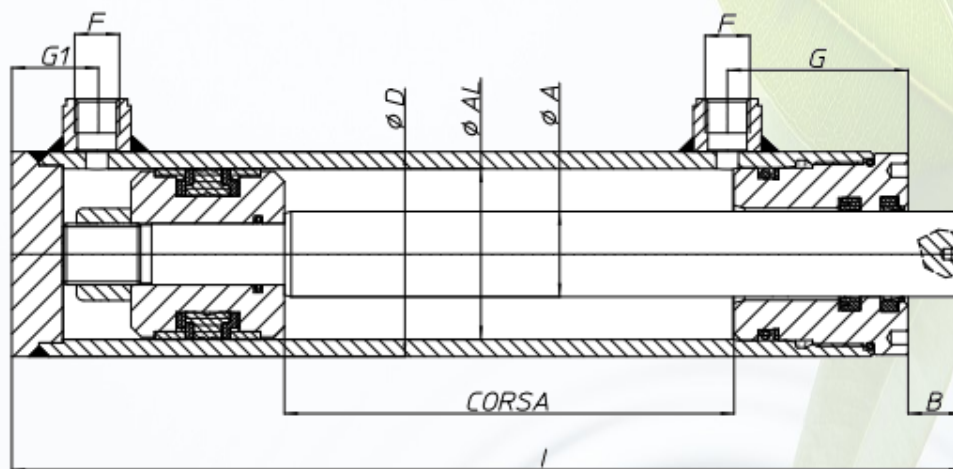
All our cylinders are manufactured in EU.

Stroke: up to 1.000 millimetres. **Bore:** up to 100 milimetres. **Pressure:** up to 250 Bar.

Material information:

Tube: Steel - ST 52.3 DIN 2393 ISO H9

Rod: Steel - UNI C45 SAE 1045 - CROMO 25 Micron \pm 5



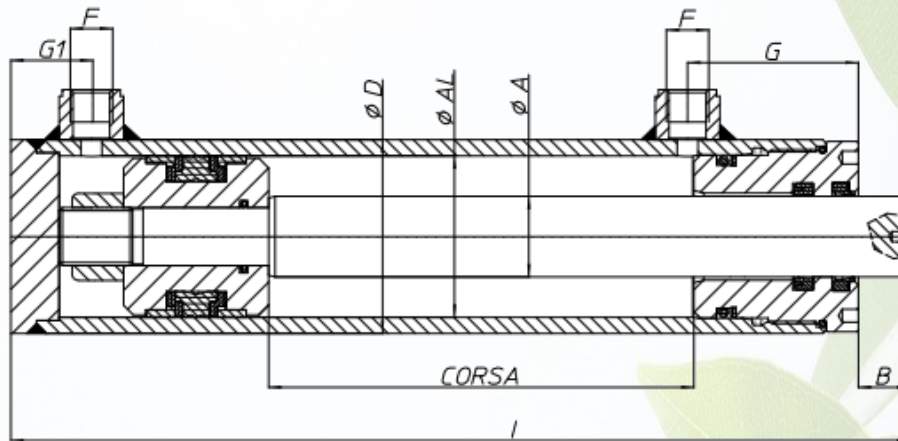
Item no.	D	AL	A	Stroke	I	G	G1	B	F	KG
D25/16-050				50	135					0,70
D25/16-100				100	185					0,95
D25/16-150	35	25	16	150	235	33	15	17	1/4"	1,25
D25/16-200				200	285					1,50
D32/20-050				50	155					1,30
D32/20-100				100	205					1,60
D32/20-150				150	255					1,95
D32/20-200				200	305					2,30
D32/20-250	42	32	20	250	355	33	20	16	1/4"	2,70
D32/20-300				300	405					3,00
D32/20-400				400	505					3,70
D32/20-500				500	605					4,40



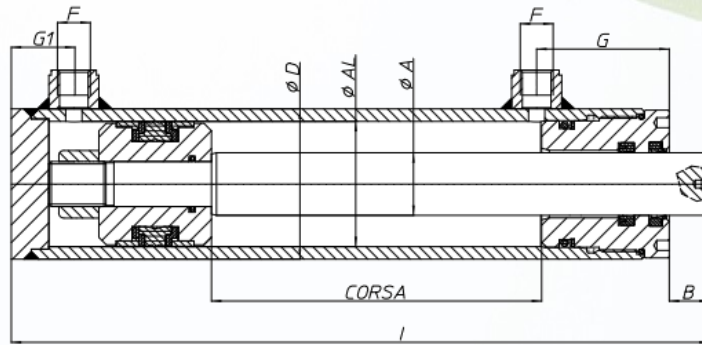
TAON Hydraulic Components ApS are specialists in hydraulic solutions, components and tool.

TAON Hydraulic Components ApS • +45 24 48 84 80 • info@taon.dk • www.taon.dk

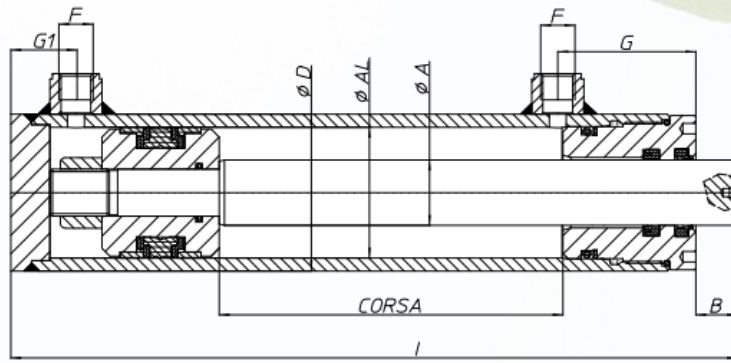
© TAON Hydraulic will always help you find the best solution.



Item no.	D	AL	A	Stroke	I	G	G1	B	F	KG
D40/20-100				100	230					2,27
D40/20-150				150	280					2,67
D40/20-200				200	330					3,05
D40/20-250				250	380					3,45
D40/20-300	50	40	20	300	430	40	23	22	1/4"	3,85
D40/20-350				350	480					4,27
D40/20-400				400	530					4,65
D40/20-450				450	580					5,08
D40/20-500				500	630					5,49
D50/25-100				100	240					3,29
D50/25-150				150	290					3,83
D50/25-200				200	340					4,34
D50/25-250				250	390					4,85
D50/25-300				300	440					5,35
D50/25-350				350	490					5,94
D50/25-400	60	50	25	400	540	43	26	22	3/8"	6,40
D50/25-450				450	590					7,30
D50/25-500				500	640					7,43
D50/25-550				550	690					8,06
D50/25-600				600	740					8,46
D50/25-700				700	840					9,80
D50/25-800				800	940					10,71
D50/25-1000				1000	1140					12,87



Item no.	D	AL	A	Stroke	I	G	G1	B	F	KG
D50/30-100				100	240					3,60
D50/30-150				150	290					4,11
D50/30-200				200	340					4,74
D50/30-250				250	390					5,35
D50/30-300				300	440					5,97
D50/30-350				350	490					6,55
D50/30-400				400	540					7,20
D50/30-450	60	50	30	450	590	43	26	22	3/8"	7,80
D50/30-500				500	640					8,42
D50/30-550				550	690					9,04
D50/30-600				600	740					9,64
D50/30-700				700	840					10,85
D50/30-800				800	910					12,10
D50/30-1000				1000	1140					14,57
D60/30-100				100	260					4,82
D60/30-150				150	310					5,55
D60/30-200				200	360					6,20
D60/30-250				250	410					6,87
D60/30-300				300	460					7,55
D60/30-350				350	510					8,20
D60/30-400				400	560					8,90
D60/30-450	70	60	30	450	610	50	30	23	3/8"	9,53
D60/30-500				500	660					10,25
D60/30-550				550	710					10,86
D60/30-600				600	760					11,60
D60/30-700				700	860					13,00
D60/30-800				800	960					14,26
D60/30-1000				1000	1160					17,00



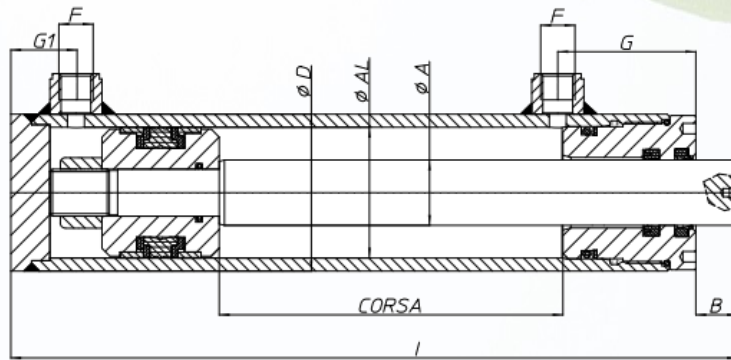
Item no.	D	AL	A	Stroke	I	G	G1	B	F	KG
D70/35-100				100	260					6,09
D70/35-150				150	310					6,95
D70/35-200				200	360					7,74
D70/35-250				250	410					8,60
D70/35-300				300	460					9,40
D70/35-350				350	510					10,26
D70/35-400	80	70	35	400	560	50	33	23	3/8"	11,00
D70/35-450				450	610					11,88
D70/35-500				500	660					12,60
D70/35-550				550	710					13,66
D70/35-600				600	760					14,20
D70/35-700				700	860					16,20
D70/35-800				800	960					17,56
D70/35-1000				1000	1160					21,26
D70/40-100				100	260					6,50
D70/40-150				150	310					7,50
D70/40-200				200	360					8,50
D70/40-250				250	410					9,26
D70/40-300				300	460					10,24
D70/40-350				350	510					11,20
D70/40-400	80	70	40	400	560	50	33	23	3/8"	12,80
D70/40-450				450	610					13,11
D70/40-500				500	660					14,01
D70/40-550				550	710					15,10
D70/40-600				600	760					15,99
D70/40-700				700	860					18,00
D70/40-800				800	960					19,73
D70/40-1000				1000	1160					23,51



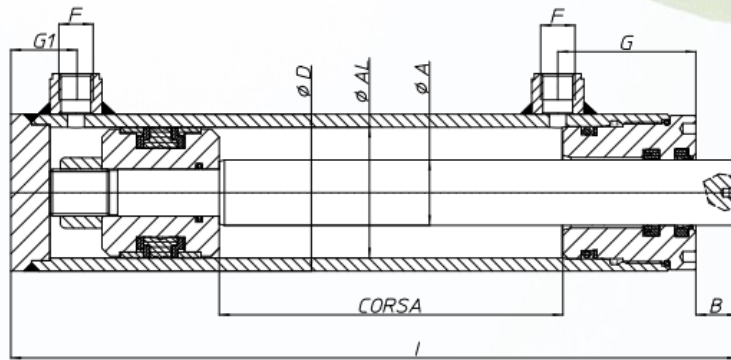
TAON Hydraulic Components ApS are specialists in hydraulic solutions, components and tool.

TAON Hydraulic Components ApS • +45 24 48 84 80 • info@taon.dk • www.taon.dk

© TAON Hydraulic will always help you find the best solution.



Item no.	D	AL	A	Stroke	I	G	G1	B	F	KG
D80/40-200				200	380					11,08
D80/40-250				250	430					12,22
D80/40-300				300	480					13,35
D80/40-400				400	580					15,56
D80/40-500	92	80	40	500	680	60	35	25	1/2"	17,77
D80/40-600				600	780					19,98
D80/40-700				700	880					22,50
D80/40-800				800	980					24,50
D80/40-1000				1000	1180					28,92
D80/50-200				200	380					12,35
D80/50-250				250	430					13,73
D80/50-300				300	480					15,15
D80/50-400				400	580					17,95
D80/50-500	92	80	50	500	680	60	35	25	1/2"	20,71
D80/50-600				600	780					24,00
D80/50-700				700	880					26,80
D80/50-800				800	980					29,50
D80/50-1000				1000	1180					35,00
D90/50-300				300	486					19,30
D90/50-400				400	586					22,65
D90/50-500				500	686					25,95
D90/50-600	105	90	50	600	786	60	40	23	1/2"	29,30
D90/50-700				700	886					32,70
D90/50-800				800	986					35,95
D90/50-1000				1000	1186					42,60



Item no.	D	AL	A	Stroke	I	G	G1	B	F	KG
D100/50-200				200	410					19,50
D100/50-250				250	460					21,50
D100/50-300				300	510					23,00
D100/50-400				400	610					26,50
D100/50-500	115	100	50	500	710	82	38	25	1/2"	30,00
D100/50-600				600	810					33,50
D100/50-700				700	910					37,30
D100/50-800				800	1010					40,50
D100/50-1000				1000	1210					47,50
D100/60-300				300	510					25,50
D100/60-400				400	610					29,50
D100/60-500				500	710					33,50
D100/60-600	115	100	60	600	810	82	38	25	1/2"	37,50
D100/60-700				700	910					42,30
D100/60-800				800	1010					46,00
D100/60-1000				1000	1210					54,50