

Hydraulic Gear Pump - Motor Unit

PP-Series

TAON
Hydraulik Komponenter



Description:

The PP-Series is an external gear pump connected to an electric motor with bellhousing and flexible clutch. This is a easy integrable power solution to your hydraulic system. The gear pumps has good capabilities for suction of oil, and delivers a stable hydraulic flow to your function. This standard series can be extended with double/triple pumps and more functions.

Technical data:

Pressure range: 0-250 bar

Motor

Electric motor range: 0,75-30 kW

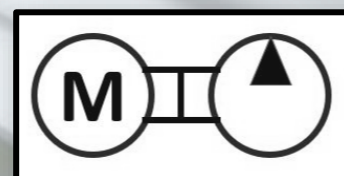
Pump volume sizes:

Gr. 1: 1 - 6,1 cm³/rpm

Gr. 2: 4,5 - 25 cm³/rpm

Gr. 3: 22 - 60 cm³/rpm

Hydraulic Circuit

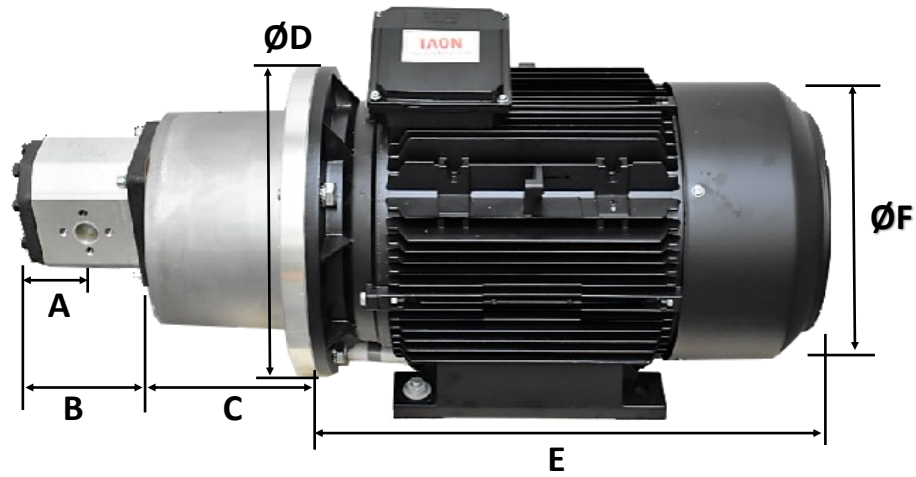




Maximum operating pressure dependent on installed capacity and pump flow rate

Motor size	0,75 KW	1,5 KW	4,0 KW	5,5 KW	7,5 KW	11 KW	15 KW	18,5 KW		
Flow									Pump Cm ³	
1,4 l/min	250 bar	250 bar	250 bar						1,0	Gr. 1
1,8 l/min	248 bar	250 bar	250 bar						1,25	Gr. 1
3,6 l/min	124 bar	248 bar	250 bar						2,5	Gr. 1
6,0 l/min	74 bar	148 bar	250 bar						4,2	Gr. 1
6,5 l/min	69 bar	138 bar	250 bar	250 bar	250 bar	250 bar	250 bar	250 bar	4,5	Gr. 2
8,8 l/min	51 bar	102 bar	200 bar						6,1	Gr. 1
9,1 l/min	49 bar	99 bar	250 bar	250 bar	250 bar	250 bar	250 bar	250 bar	6,3	Gr. 2
11,8 l/min	38 bar	76 bar	202 bar	250 bar	250 bar	250 bar	250 bar	250 bar	8,2	Gr. 2
15,9 l/min	28 bar	56 bar	150 bar	207 bar	250 bar	250 bar	250 bar	250 bar	11	Gr. 2
20,3 l/min	22 bar	44 bar	118 bar	163 bar	222 bar	250 bar	250 bar	250 bar	14	Gr. 2
23,2 l/min	19 bar	39 bar	103 bar	142 bar	194 bar	250 bar	250 bar	250 bar	16	Gr. 2
27,5 l/min	16 bar	33 bar	87 bar	120 bar	163 bar	200 bar	200 bar	200 bar	19	Gr. 2
31,9 l/min	14 bar	28 bar	75 bar	103 bar	141 bar	180 bar	180 bar	180 bar	22	Gr. 2
31,9 l/min				103 bar	141 bar	207 bar	250 bar	250 bar	22	Gr. 3
36,6 l/min	12 bar	25 bar	66 bar	91 bar	124 bar	160 bar	160 bar	160 bar	25	Gr. 2
40,6 l/min				81 bar	111 bar	163 bar	222 bar	250 bar	28	Gr. 3
46,4 l/min				71 bar	97 bar	142 bar	194 bar	239 bar	32	Gr. 3
52,2 l/min				63 bar	86 bar	126 bar	172 bar	213 bar	36	Gr. 3
60,9 l/min				54 bar	74 bar	108 bar	148 bar	182 bar	42	Gr. 3
72,5 l/min				46 bar	62 bar	91 bar	124 bar	153 bar	50	Gr. 3
87,0 l/min				38 bar	52 bar	76 bar	103 bar	128 bar	60	Gr. 3

→ Further combinations on request



	C (mm)	ØD (mm)	E (mm)	ØF (mm)
Motor - 0,75 KW	95	200	250	165
Motor - 1,5 KW	95	200	287	165
Motor - 4,0 KW	105	250	335	215
Motor - 5,5 KW	150	300	357	265
Motor - 7,5 KW	150	300	395	265
Motor - 11 KW	180	350	530	300
Motor - 15 KW	180	350	530	300
Motor - 18,5 KW	180	350	580	300

Gr. 1 Pumps Cm ³	A (mm)	B (mm)
1,0	41,9	81,0
1,25	42,5	82,0
2,5	45,1	87,2
4,2	48,6	94,1
6,1	52,4	101,8

Gr. 2 Pumps Cm ³	A (mm)	B (mm)
4,5	42,5	80,0
6,3	37,5	80,0
8,2	37,5	80,0
11	43,1	91,1
14	45,4	95,4
16	46,6	98,6
19	49,5	103,5
22	51,5	108,5
25	54,2	113,4

Gr. 3 Pumps Cm ³	A (mm)	B (mm)
22	62,1	119,7
28	64,5	124,7
32	70,8	137,3
36	72,5	140,5
42	75,3	146,1
50	78,9	153,4
60	83,7	162,4



Type code for standard program

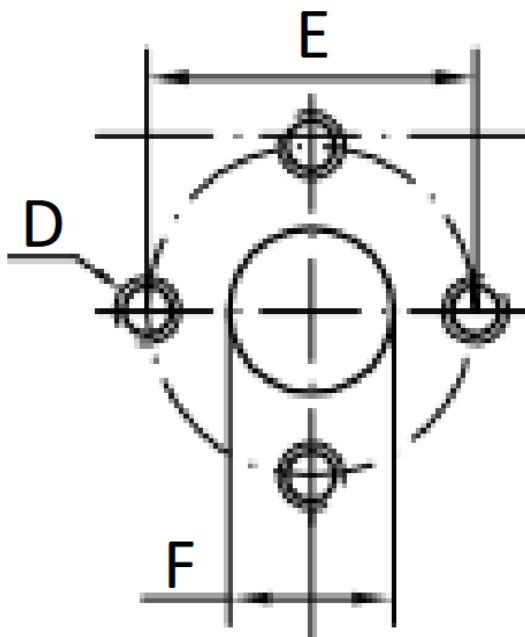
Product no.: PPXX—XXX



Electric motor	
08	0,75 KW
15	1,5 KW
40	4,0 KW
55	5,5 KW
75	7,5 KW
110	11 KW
150	15 KW
185	18,5 KW

Pump	
010	1,4 l/min – 1,00 cc – Gr. 1
013	1,8 l/min – 1,25 cc – Gr. 1
025	3,6 l/min – 2,50 cc – Gr. 1
042	6,0 l/min – 4,20 cc – Gr. 1
045	6,5 l/min – 4,50 cc – Gr. 2
061	8,8 l/min – 6,10 cc – Gr. 1
063	9,1 l/min – 6,30 cc – Gr. 2
082	11,8 l/min – 8,2 cc – Gr. 2
110	15,9 l/min – 11 cc – Gr. 2
113	16,3 l/min – 11,3 cc – Gr. 2
140	20,3 l/min – 14 cc – Gr. 2
160	23,2 l/min – 16 cc – Gr. 2
190	27,5 l/min – 19 cc – Gr. 2
220	31,9 l/min – 22 cc – Gr. 2
223	31,9 l/min – 22 cc – Gr. 3
280	40,6 l/min – 28 cc – Gr. 3
320	46,4 l/min – 32 cc – Gr. 3
360	52,2 l/min – 36 cc – Gr. 3
420	60,9 l/min – 42 cc – Gr. 3
500	72,5 l/min – 50 cc – Gr. 3
600	87,0 l/min – 60 cc – Gr. 3

Dimension inlet and outlet



	E	D	F
ø30	30	M6	ø12
ø40	40	M8	ø19
ø51	51	M10	ø27

Pump Cm ³		Inlet	Outlet	Flow
1,0	Gr. 1	ø30	ø30	1,4 l/min
1,25	Gr. 1	ø30	ø30	1,8 l/min
2,5	Gr. 1	ø30	ø30	3,6 l/min
4,2	Gr. 1	ø30	ø30	6,0 l/min
4,5	Gr. 2	ø30	ø30	6,5 l/min
6,1	Gr. 1	ø30	ø30	8,8 l/min
6,3	Gr. 2	ø30	ø30	9,1 l/min
8,2	Gr. 2	ø30	ø30	11,8 l/min
11	Gr. 2	ø40	ø30	15,9 l/min
14	Gr. 2	ø40	ø30	20,3 l/min
16	Gr. 2	ø40	ø30	23,2 l/min
19	Gr. 2	ø40	ø30	27,5 l/min
22	Gr. 2	ø40	ø30	31,9 l/min
22	Gr. 3	ø40	ø40	31,9 l/min
25	Gr. 2	ø40	ø40	36,6 l/min
28	Gr. 3	ø40	ø40	40,6 l/min
32	Gr. 3	ø51	ø40	46,4 l/min
36	Gr. 3	ø51	ø40	52,2 l/min
42	Gr. 3	ø51	ø40	60,9 l/min
50	Gr. 3	ø51	ø40	72,5 l/min
60	Gr. 3	ø51	ø40	87,0 l/min