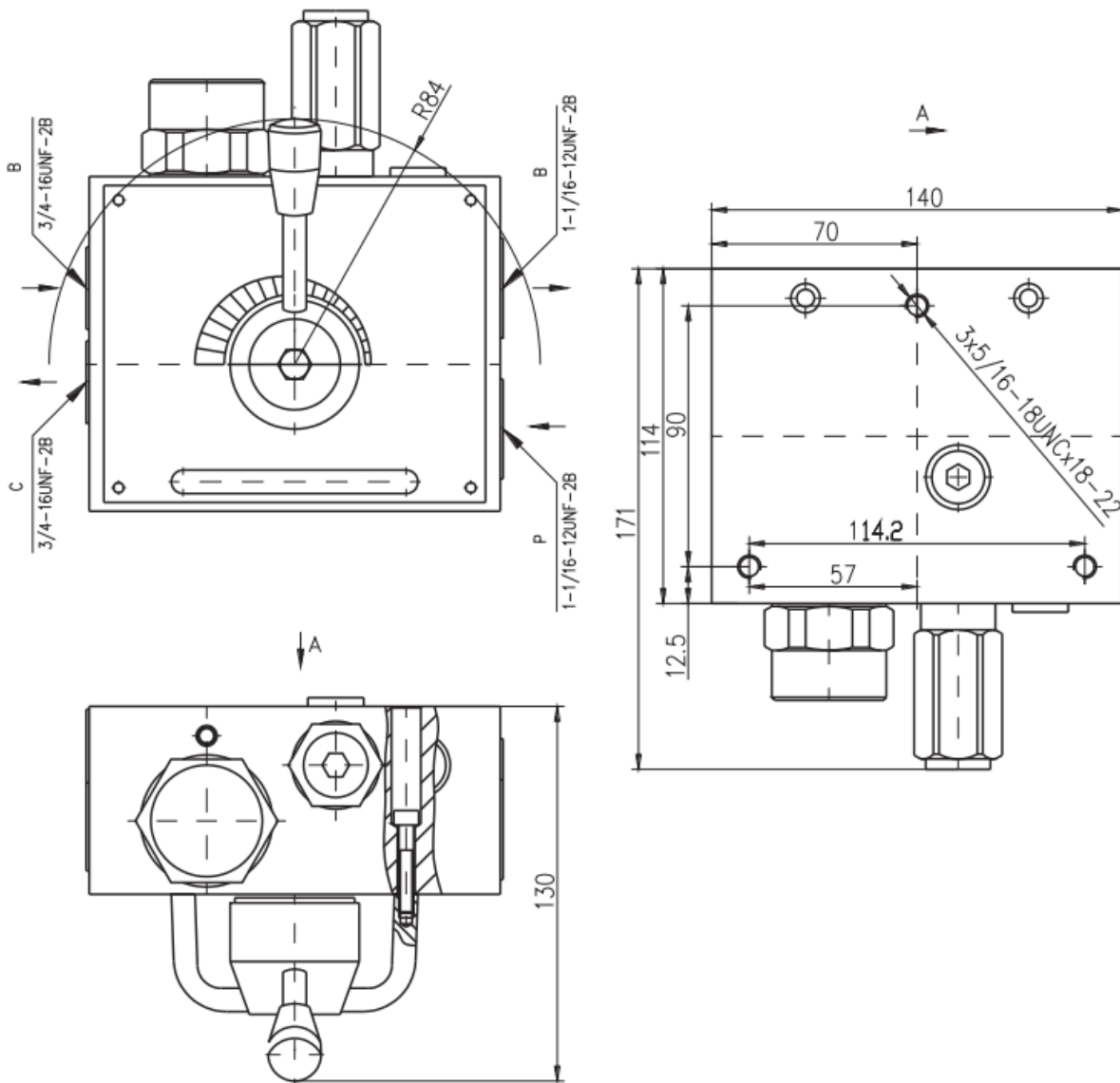


Flow Control valve  
FCV-G



- ✓ Three way flow control valves for pipe mounting -FCV-G
- ✓ The flow control valves are designed to regulate the flow rate in the hydraulic system, independently of the inlet flow and pressure variations in it. Priority flow regulator gives priority of the adjusted flow to pass entirely to bypass, tank or a separate system.

