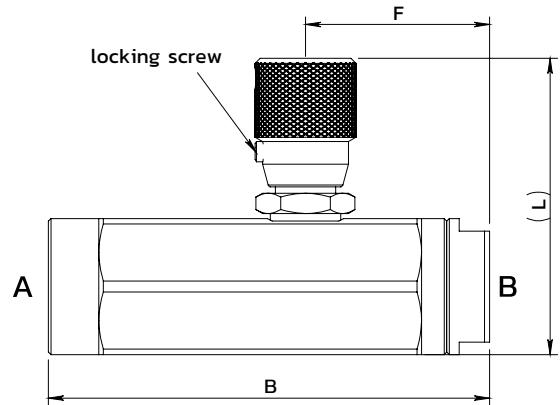
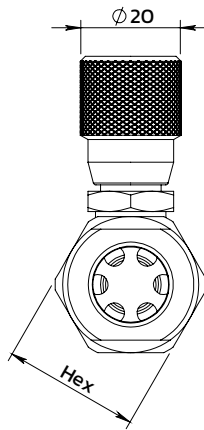
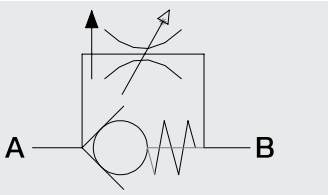
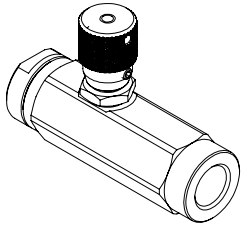
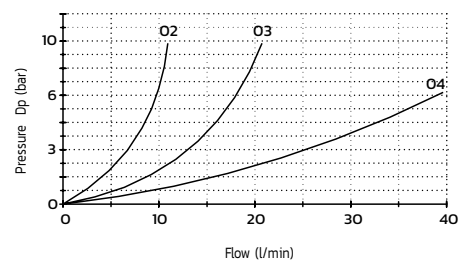


**Unidirectional pressure compensated flow regulator**
*Regolatore di flusso unidirezionale compensato in pressione*

**SPECIFICATIONS / SPECIFICHE**

Fluid viscosity / Viscosità Fluido	ISO 3448
Filtration / Classe di contaminazione	ISO 4406
Fluid temperature / Temperatura fluido	-20°C +90°C
Ambient temperature / Temperatura ambiente	-20°C +50°C
External surfaces / Superfici esterne	Zinc plated

**PERFORMANCE A to B / PRESTAZIONI**

 Oil viscosity 24 mm<sup>2</sup>/s (3.5 °E) - Temperature 50°C

**ORDERING CODE / CODICE ORDINAZIONE**

22	C	01	B01	3	0	**	0
----	---	----	-----	---	---	----	---

Ports size	
02	1/4 BSPP
03	3/8 BSPP
04	1/2 BSPP

Standard code	Thread A-B	B	F	L	Hex	Weight (kg)	Max Flow (l/m)	Max. Pressure (bar)
22C01B0130020	1/4	87.5	36.5	60	27	0.4	10	250
22C01B0130030	3/8	87.5	36.5	60	27	0.4	20	250
22C01B0130040	1/2	107	46	71	36	0.7	40	250

\* On request versions: Please, contact our customer service / Versioni su richiesta: Per cortesia contattare il ns. servizio clienti.