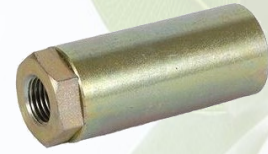


# IFLC

## Flow control valve - fixed setting



Working pressure: max. 210 bar

Thread BSP: G 1/4"

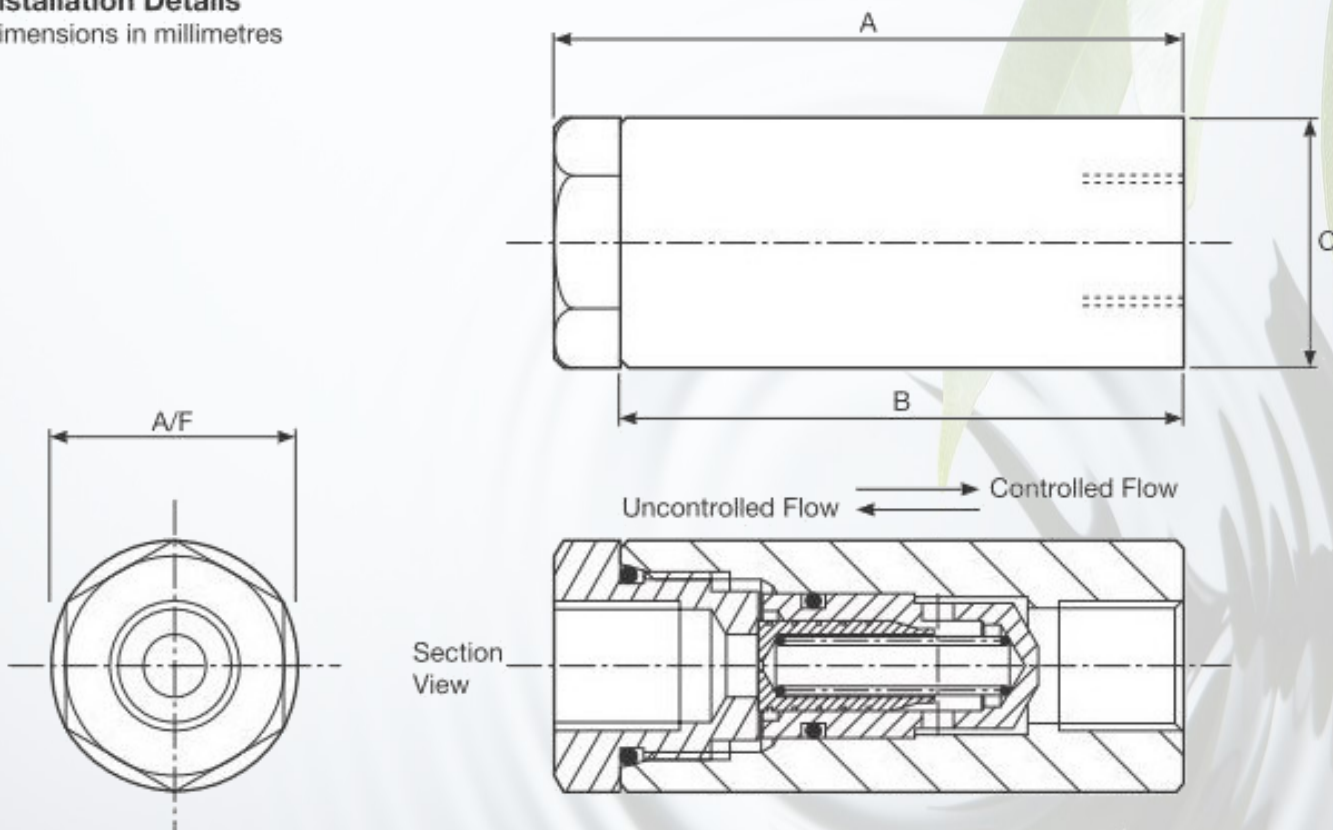
Fixed setting, pressure compensated flow control valve. Regulated amount from A->B, reduced return flow in opposite direction.

Table 1: Dimensions

Code	Flow Range	Port		A	B	C	A/F	Weight (kg)
		Size	Thread					
14	1.5 - 14 lpm	1/4"	BSP	64	57	25	22	0.20

### Installation Details

Dimensions in millimetres



**TAON**

Hydraulik Komponenter

TAON Hydraulic Components ApS are specialists in hydraulic solutions, components and tool.

TAON Hydraulic Components ApS • +45 24 48 84 80 • info@taon.dk • www.taon.dk

© TAON Hydraulic will always help you find the best solution.