

RW Hydraulic orbit motor



Technical data for RW									
Type		RW 80	RW 100	RW 125	RW 160	RW 200	RW 250	RW 315	RW 400
Geometric displacement (cm ³ /rev.)		81.5	102	127.2	157.2	194.5	253.3	317.5	381.4
Max. speed (rpm)	cont.	750	600	475	378	310	240	190	155
	int.	940	750	600	475	385	300	240	190
Max. torque (Nm)	cont.	195	240	300	380	450	540	550	580
	int.	220	280	340	430	500	610	690	690
	peak	270	320	370	460	560	710	840	830
Max. output (KW)	cont.	12.5	13	12.5	12.5	11	10	9	7.5
	int.	15	15	14.5	14	13	12	10	90
Max. pressure drop (Bar)	cont.	175	175	175	175	175	175	135	115
	int.	200	200	200	200	200	200	175	150
	peak	225	225	225	225	225	225	210	175
Max flow (L/min)	cont.	60	60	60	60	60	60	60	60
	int.	75	75	75	75	75	75	75	75
Weight (kg)		6.9	7	7.3	7.6	8	8.5	9.0	9.5

* Continuous pressure: Max. value of operating motor continuously.

* Intermittent pressure: Max. value of operating motor in 6 seconds per minute.

* Peak pressure: Max. value of operating motor in 0.6 second per minute

RW series motor adapt the advanced Geroler gear set design with shaft distribution flow, which can automatically compensate in operating with high pressure, provide reliable and smooth operation, high efficiency and long life.

Characteristic features:

- Advanced manufacturing devices for the Gerolor gear set, which use low pressure of start-up, provide smooth, reliable operation and high efficiency.
- Shaft seal can bear high pressure of back and the motor can be used in parallel or in series.
- Special design in the driver-linker and prolong operating life
- Compact volume and easy installation.



TAON Hydraulic Components ApS are specialists in hydraulic solutions, components and tool.

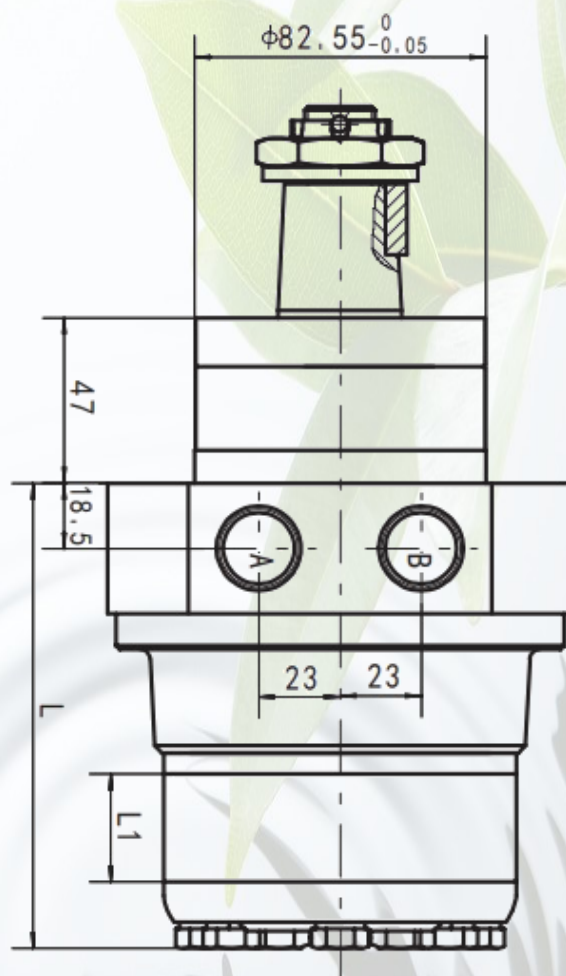
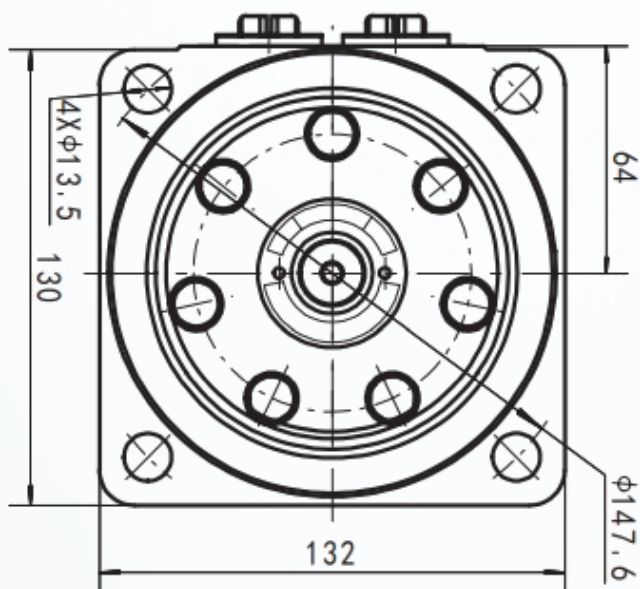
TAON Hydraulic Components ApS • +45 24 48 84 80 • info@taon.dk • www.taon.dk

© TAON Hydraulic will always help you find the best solution.

RW Hydraulic orbit motor



Overview drawing



Model	L	L1
RW -80	119	16
RW -100	123	20
RW -125	128	25
RW -160	133.5	30.5
RW -200	141	38.1
RW -250	153	50
RW -315	165	62

Mounting	Code	G(depth)	M(depth)	S(depth)	P(depth)
	P(A,B)		G1/2(15)	M22x1.5(15)	7/8-14O-ring(17)
C		G1/4(12)	M14x1.5(12)	7/16-20UNF(12)	7/16-20UNF(12)

RW Hydraulic orbit motor



Performance data

RW 80 [81.5cm³/rev.]

		Pressure (MPa)								
						Max.cont.		Max.int.		
		5	7	9	10	12	14	16	17.5	20
Flow (L/min)	5	50	64	88	108	133				
		59	56	50	44	38				
10		54	77	99	108	129	150	173		
		118	113	106	97	86	79	56		
20		57	78.0	102	111	134	155	177	196	225
		238	234	227	216	203	190	178	154	135
30		54	75	100	108	131	152	176	195	223
		360	352	340	332	316	302	290	274	250
40		48	73	96	105	127	148	172	190	220
		480	470	458	445	430	418	403	388	359
50		42	70	93	102	124	147	170	188	218
		604	595	582	570	556	540	521	504	487
Max.cont. 60		37	66	89	98	121	144	166	184	213
		726	715	704	692	678	663	647	622	594
70		32	60	83	95	116	140	160	177	208
		845	834	820	802	789	767	754	730	705
Max.int. 75		21	50	78	90	111	135	154	171	200
		910	895	881	867	852	830	806	787	756

RW 100 [102cm³/rev.]

		Pressure (MPa)								
						Max.cont.		Max.int.		
		5	7	9	10	12	14	16	17.5	20
Flow (L/min)	5	66	92	120	135	156				
		45	42	38	34	27				
10		68	96	125	138	159	188	212		
		93	90	86	81	74	57	42		
20		65	94.0	123	137	155	186	210	238	274
		189	185	180	173	165	158	150	139	118
30		63	92	120	133	153	185	209	235	270
		286	281	275	266	257	246	237	225	207
40		57	88	117	130	152	185	208	233	267
		385	378	365	355	345	332	320	314	297
50		48	79	110	123	150	183	204	228	260
		482	477	470	460	448	435	420	405	389
Max.cont. 60		38	70	105	120	144	178	200	220	252
		580	572	560	548	535	523	510	500	478
70		32	65	100	118	141	176	197	215	246
		678	670	660	648	638	626	615	606	580
Max.int. 75		23	59	93	111	136	170	192	210	240
		728	720	710	695	681	667	650	634	618

RW 125 [127.2cm³/rev.]

		Pressure (MPa)								
						Max.cont.		Max.int.		
		5	7	9	10	12	14	16	17.5	20
Flow (L/min)	5	76	110	145	167	189				
		36	31	25	19	13				
10		84	118	155	176	202	228	253		
		73	70	60	48	36	25	19		
20		82	117	153	174	200	230	259	294	332
		153	151	148	144	138	128	117	104	73
30		79	116	151	171	198	228	257	292	329
		231	228	224	218	210	201	183	168	137
40		72	114	148	168	196	226	256	290	327
		309	307	303	298	292	280	270	252	218
50		62	105	143	165	195	223	254	287	323
		389	386	382	378	370	360	344	328	292
Max.cont. 60		52	98	136	160	191	220	250	282	319
		467	463	459	456	448	427	410	399	352
70		41	90	130	156	187	215	242	278	313
		545	542	538	534	529	520	508	486	430
Max.int. 75		32	79	126	148	180	208	234	262	300
		586	583	578	570	560	546	532	520	480

RW 160 [157.2cm³/rev.]

		Pressure (MPa)								
						Max.cont.		Max.int.		
		5	7	9	10	12	14	16	17.5	20
Flow (L/min)	5	104	146	190	210	245				
		26	23	20	16	10				
10		107	150	195	216	250	290	335		
		59	56	50	45	37	30	22		
20		102	151	198	220	257	298	342	370	420
		121	118	115	113	108	102	97	90	78
30		97	146	190	217	256	295	340	368	416
		184	178	173	170	164	155	143	128	103
40		89	140	185	210	252	290	335	363	412
		246	241	235	228	220	210	194	177	150
50		72	128	179	202	244	284	327	358	409
		310	307	300	295	287	278	262	247	210
Max.cont. 60		60	116	170	198	240	279	321	352	400
		374	367	359	354	346	338	323	306	265
70		49	107	164	193	233	271	309	344	390
		437	430	421	415	403	393	381	365	318
Max.int. 75		36	98	152	185	226	265	300	334	379
		472	463	450	441	431	420	405	389	365

RW Hydraulic orbit motor



Performance data

RW 200 [194.5cm³/rev.]

		Pressure (MPa)										
							Max.cont.		Max.int.			
		5	7	9	10	12	14	16	17.5	20		
Flow (L/min)	5	132	181	238	262	310						
		24	22	18	13	10						
10		135	186	240	264	315	356	403				
		49	47	45	43	38	33	24				
20		131	183	238	260	314	358	404	438	498		
		99	97	94	92	88	83	74	64	56		
30		126	178	233	254	311	355	402	431	486		
		149	147	144	141	135	126	113	105	91		
40		112	169	228	250	307	352	400	426	477		
		200	197	194	191	185	174	160	151	127		
50		95	156	221	246	300	350	398	421	470		
		252	249	246	243	238	228	212	194	161		
Max.cont. 60		78	145	213	238	289	342	386	412	459		
		304	301	298	294	286	276	262	243	218		
70		67	135	206	228	277	336	375	408	453		
		355	353	349	340	329	316	300	288	257		
Max.int. 75		58	125	197	220	270	321	360	398	442		
		382	379	373	362	350	337	322	312	278		

RW 250 [253.5cm³/rev.]

		Pressure (MPa)										
							Max.cont.		Max.int.			
		5	7	9	10	12	14	16	17.5	20		
Flow (L/min)	5	175	243	304	342	407						
		17	16	14	12	10						
10		178	246	310	344	409	465	525				
		37	35	31	28	23	18	11				
20		175	244	308	340	408	463	520	558	636		
		75	73	72	70	66	58	53	50	42		
30		162	235	304	332	400	455	516	550	621		
		114	111	108	106	100	92	83	77	65		
40		143	223	300	329	396	447	512	546	617		
		154	152	150	147	143	132	120	110	90		
50		124	208	289	323	384	440	503	535	600		
		193	190	187	174	168	160	149	140	116		
Max.cont. 60		103	192	280	314	371	426	489	514	578		
		233	230	227	224	218	205	190	181	155		
70		88	178	264	301	356	418	479	498	560		
		273	270	267	263	252	242	226	209	173		
Max.int. 75		62	165	256	288	347	412	474	486	542		
		294	291	287	283	274	263	249	236	211		

RW 315 [317.5cm³/rev.]

		Pressure (MPa)							
						Max.cont.		Max.int.	
		5	7	9	10	12	14	16	17.5
Flow (L/min)	5	215	302						
		13	11						
10		218	305	383	422	488	551	622	
		28	27	25	24	21	18	13	
20		215	303	380	418	485	549	620	660
		60	59	57	55	52	49	45	42
30		204	296	375	413	480	542	613	654
		91	89	86	84	81	78	72	67
40		196	287	368	410	477	539	609	650
		122	120	117	112	106	100	94	85
50		176	270	356	393	461	526	597	645
		154	151	147	140	131	120	109	100
Max.cont. 60		162	246	339	374	446	511	586	628
		185	182	177	172	163	152	140	134
70		143	235	324	358	430	493	562	614
		217	213	208	201	190	178	166	158
Max.int. 75		125	212	303	339	417	481	543	582
		232	228	222	216	208	200	183	171

Torque (N·m) 481
Speed (rpm) 200

RW 400 [381.4cm³/rev.]

		Pressure (MPa)							
						Max.cont.		Max.int.	
		3	4.5	5.5	6.5	8	10	12.5	14
Flow (L/min)	5	153	232						
		12	10						
10		157	236	284	337	406	497	612	668
		24	23	22	21	19	17	15	12
20		150	232	280	332	401	490	606	660
		49	48	47	46	44	41	38	32
30		142	215	274	327	398	483	603	652
		76	75	74	73	71	67	63	50
40		126	212	268	320	393	477	593	635
		103	101	99	97	95	92	88	70
50		105	187	242	302	376	455	583	608
		128	126	124	121	118	115	111	96
Max.cont. 60		90	167	229	281	362	444	566	600
		154	152	150	148	145	138	130	121
70		90	149	200	258	341	425	546	580
		180	179	178	176	173	168	160	148
Max.int. 75		56	125	182	241	320	408	524	565
		195	194	193	191	189	185	178	170

cont.
int.



TAON Hydraulic Components ApS are specialists in hydraulic solutions, components and tool.

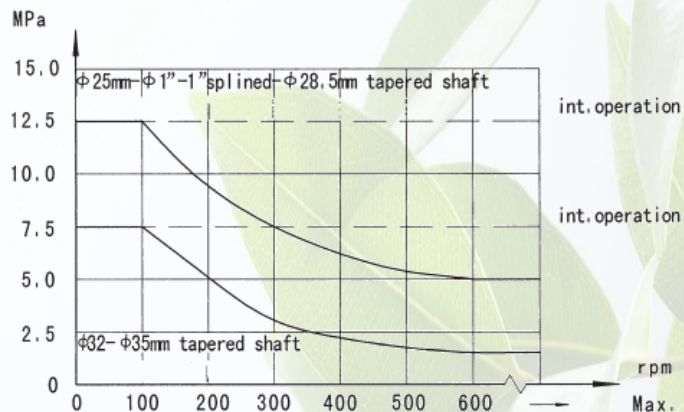
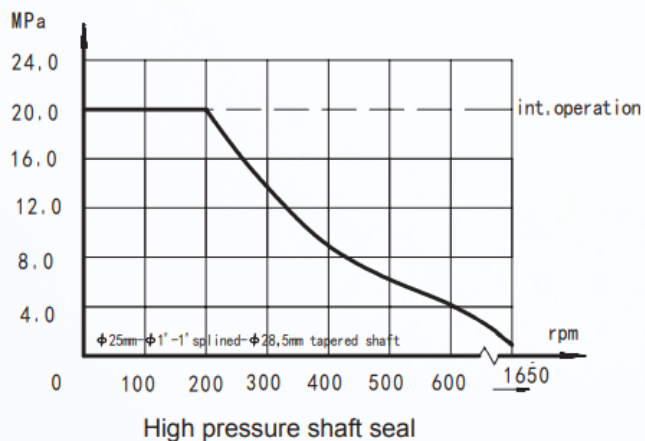
TAON Hydraulic Components ApS • +45 24 48 84 80 • info@taon.dk • www.taon.dk

© TAON Hydraulic will always help you find the best solution.

RW Hydraulic orbit motor

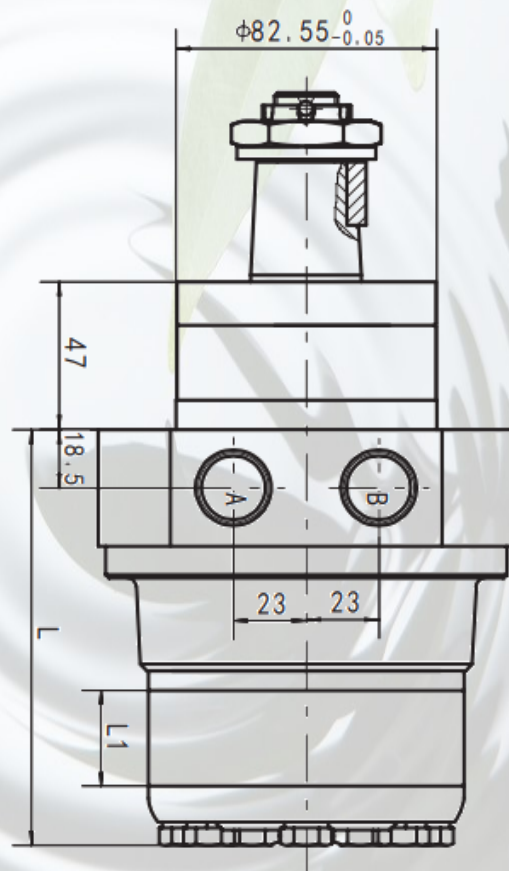


Permissible shaft seal pressure



Direction of shaft rotation

When facing shaft end of motor, shaft to rotate:
 Clockwise when port "A" is pressurized.
 Counter-clockwise port "B" is pressurized.



RW Hydraulic orbit motor



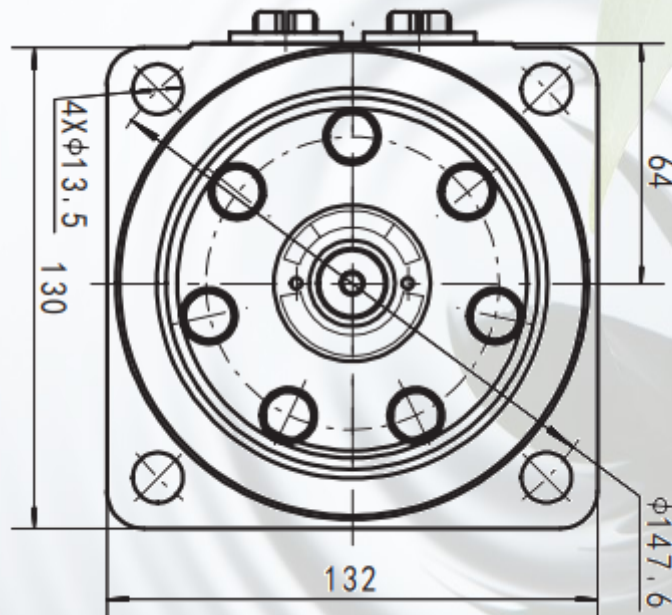
Oilflow drainline

Oil flow in drain line

The table shows the Max. oil flow in the drain line at a return pressure less than 0.5-1MPa.

Pressure drop (MPa)	Viscosity (mm ² /s)	Oil flow in the drain line (L/min.)
10	20	2.5
	35	1.8
14	20	3.5
	35	2.8

Mounting



RW Hydraulic orbit motor



Shaft extensions

