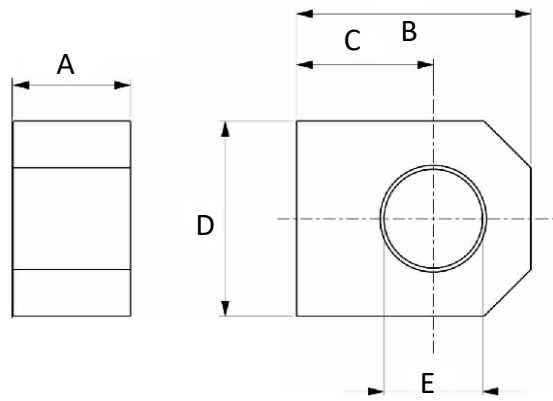


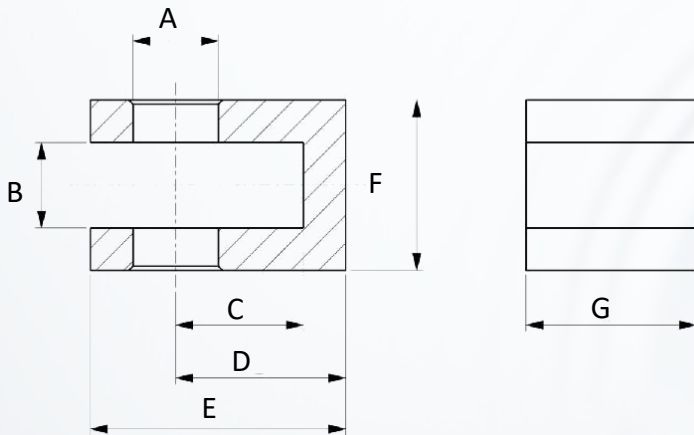
Welding eyes/ fixing

Fixed eye - End piece



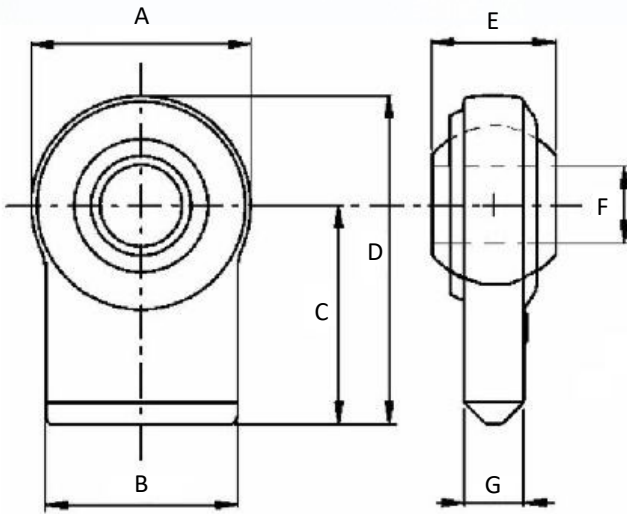
Item no.	A	B	C	D	E
F1625	20	42	25	35	16,2
F2030	25	50	30	45	20,25
F2535	30	60	35	50	25,25
F3050	30	60	35	50	30,2

Fork - Weldable



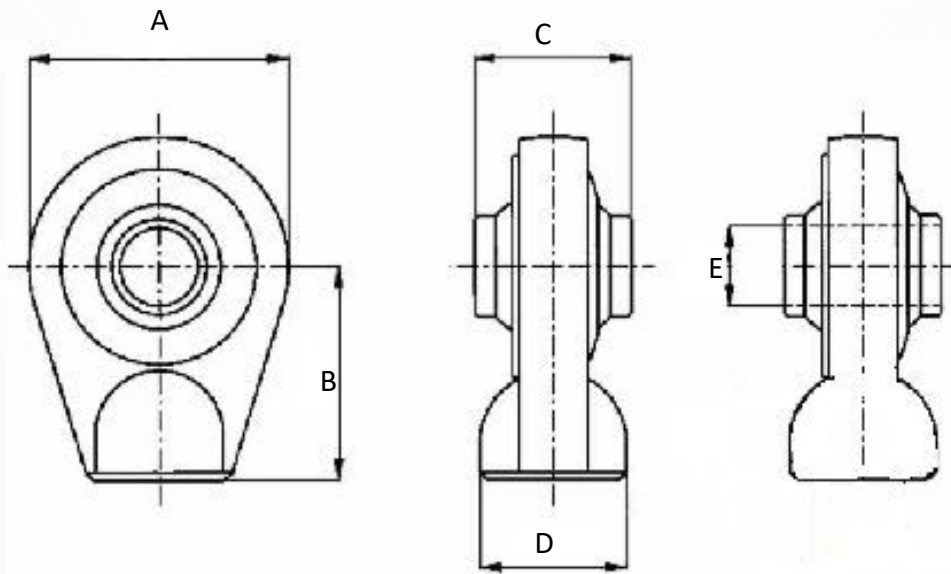
Item no.	A	B	C	D	E	F	G
FR16	16	16	24	34	50	35	35
FR20	20	20	30	40	60	40	40
FR25	25	25	30	45	65	50	50
FR30							

Ball end - Flat



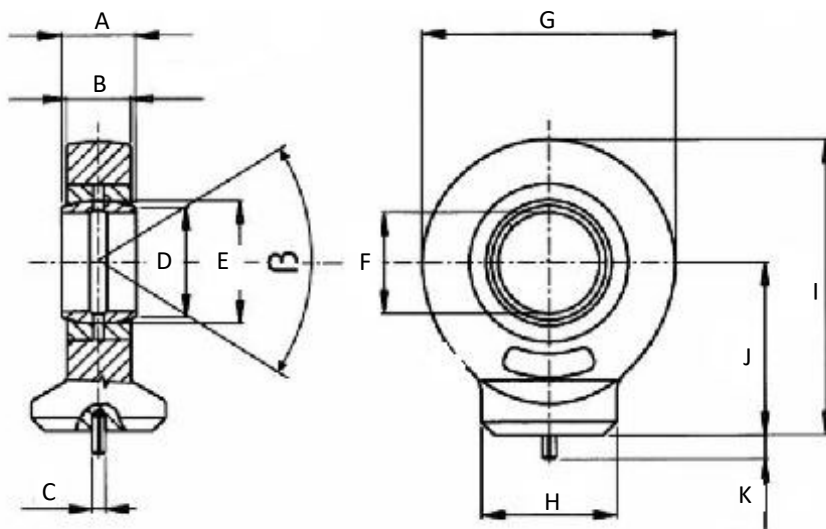
Item no.	A	B	C	D	E	F	G
R0495	46	30	60	83	20	16,2	11
R0497	65	50	43	73	35	19,3	14
R0498	65	50	43	73	35	22,1	14
R0500	67	56	50	84	35	22,1	18
R0505	67	58	75	109	35	22,1	18
R0515	76	70	50	88	35	25,4	18
R0530	76	70	50	88	35	28,4	18
R0570	80	70	65	105	45	28,4	22
R0572	80	70	65	105	45	30,2	22
R0576	85	70	80	120	45	28,1	18
R0578			120			28,1	
R0610	108	80	65	119	45	38,4	24
R0614	110	80	65		45	37	23
R0615	110	80	65	120	45	28,4	23

Ball end - Round



Item no.	A	B	C	D	E
R0700	62	36	44	30,14	19,5
R0710	60	60	44	34	19,5
R0720	60	60	44	34	20
R0730	75	63	51	38	22,5
R0740	75	65	51	38	25,4
R0745	90	85	51	38	32
R0750	83	65	51	50	25,4
R0760	85	70	51	48	25,4
R0780	80	70	51	50	30
R0810	83	65	55	50	30
R0812	83	65	35	50	35,2
R0815	83	65	55	50	35
R0820	108	85	75	60	40
R0860	108	85	75	60	50

Spherical ram eye

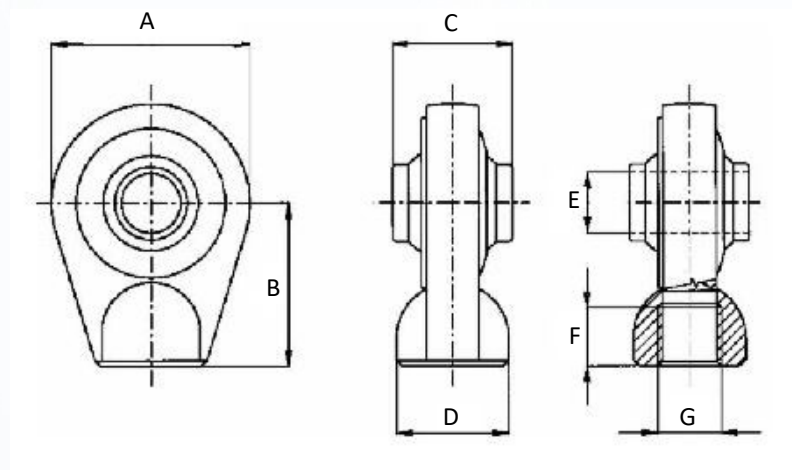


Item no.	A	B	C	D	E	F	G	H	I	J	K
10ARI	9	7	3	13	16	10	29	15	38,5	24	6
12ARI	10	8	3	15	18	12	34	17,5	44	27	6
15ARI	12	10	4	18	22	15	40	21	51	31	6
16ARI	14	11	4	15,7	20,7	16	46	24	58	35	6
17ARI	14	11	4	20,5	25	17	46	24	58	35	6
20ARI	16	14	4	24	29	20	53	27,5	64,5	38	6
25ARI	20	17	4	29	35,5	25	64	33,5	77	45	6
30ARI	22	19	4	34	40,7	30	73	40	87,5	51	6
35ARI	25	21	4	39,5	47	35	82	47	102	61	6
40ARI	28	23	4	45	53	40	92	52	115	69	6
45ARI	32	27	6	50,5	60	45	102	58	128	77	6
50ARI	35	30	6	56	66	50	112	62	144	88	6
60ARI	44	38	6	66,5	80	60	135	70	168	100	70
70ARI	49	42	6	77,5	92	70	160	80	195	115	6
80ARI	55	47	6	89	105	80	180	95	231	141	6



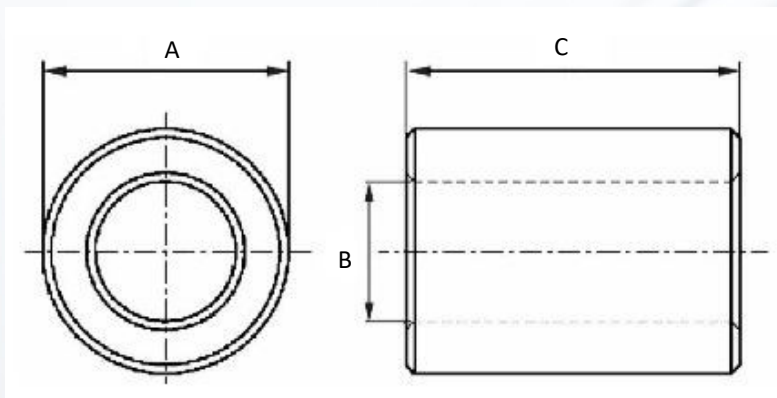
TAON Hydraulic Components ApS are specialists in hydraulic solutions, components and tool.
 TAON Hydraulic Components ApS • +45 24 48 84 80 • info@taon.dk • www.taon-hydraulic.com
 © TAON Hydraulic will always help you find the best solution.

Ball end - Round - Metric inside



Item no.	A	B	C	D	E	F	G
R0770	85	70	51	48	25,4	25	M27x2
R0790	80	70	51	50	30	27	M27x2
R0830	108	85	75	60	40	28	M28x2
R0870	108	85	75	60	50	28	M38X2

Weld bushing for end- plug

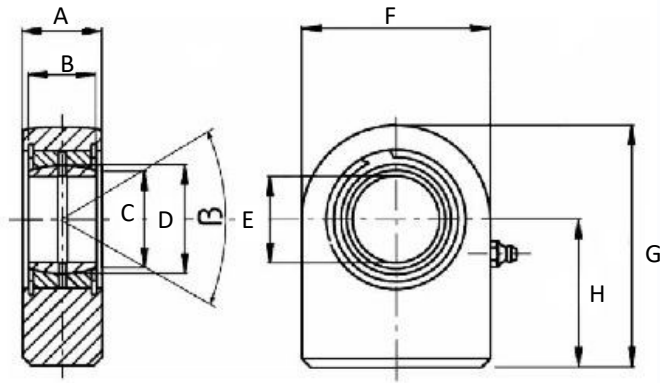


Item no.	A	B	C
BB1635	35	16	60
BB2040	40	20	70
BB2550	50	25	80
BB3060	60	30	110



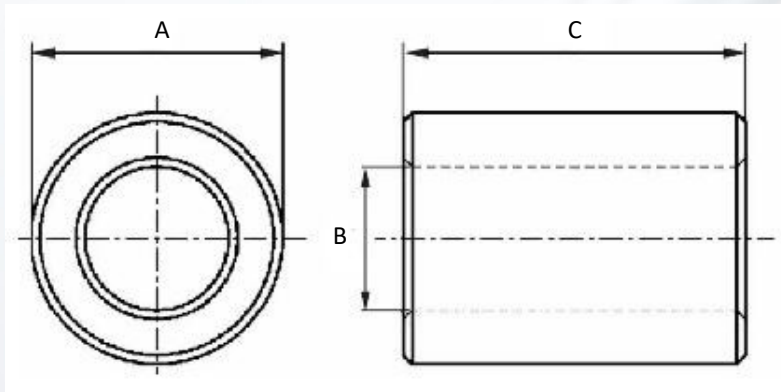
TAON Hydraulic Components ApS are specialists in hydraulic solutions, components and tool.
 TAON Hydraulic Components ApS • +45 24 48 84 80 • info@taon.dk • www.taon-hydraulic.com
 © TAON Hydraulic will always help you find the best solution.

Spherical ram eye - For bottom



Item no.	A	B	C	D	E	F	G	H
20PRI	19	16	24	29	20	50	63	38
25PRI	23	20	39	35,5	25	55	72,5	45
30PRI	28	22	34	40,7	30	65	83,5	51
35PRI	30	25	39,5	47	35	83	102,5	61
40PRI	40	32	50,5	60	45	110	132	77
45PRI	40	32	50,5	60	45	110	132	77
50PRI	40	35	56	66	50	123	149,5	88
60PRI	50	44	66,5	80	60	140	100	170
70PRI	55	49	77,5	92	70	164	197	115

Weld bushing for piston rod



Item no.	A	B	C
BM1635	35	16	30
BM2040	40	20	40
BM2550	50	25	50
BM3060	60	30	60



TAON Hydraulic Components ApS are specialists in hydraulic solutions, components and tool.
 TAON Hydraulic Components ApS • +45 24 48 84 80 • info@taon.dk • www.taon-hydraulic.com
 © TAON Hydraulic will always help you find the best solution.